



Mechanical Dewatering

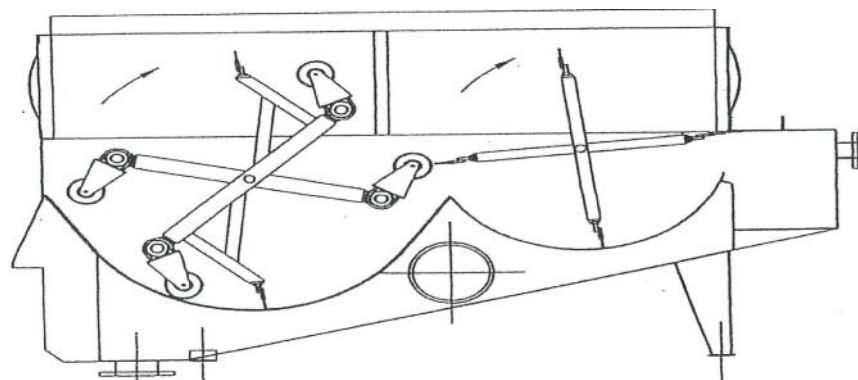
Efficient screening for Wastewater and industrial effluents

De-watering produces an easily stackable solid plus a free flowing liquid. The effluent enters the De-waterer inlet chamber and is slowly brushed the full length of the perforated screen to remove most of the liquid before entering the second stage where the remaining solids are double pressed to ensure the maximum amount of liquid is removed.

- Typical industries include Vegetable and meat processors, Abattoirs, Auction Markets, Digestate separation
- Galvanised or Stainless steel options
- A double pressing of the solids in the second Stage produces an extremely dry solids
- Easy operation and maintenance
- UK designed and manufacture to ISO 9000
- Can be installed as part of a complete effluent treatment system
- Spray system to deal with FOG applications
- Stainless Steel Screens
- Various screen sizes depending on application
- * Quick change screens with cam-lock system
- * Full system design available
- * Support steelwork, Pumps, Controls, Clarifiers
- * Chemical treatment



Model 600 De-waterer



Double pressing of the solids

Model	Liquid Flow	Solids Capacity	Motor Size	Machine Length	Machine Width	Machine Height
DW600	48m ³ /hr	2m ³ /hr	0.75 Kw	3000mm	1030mm	1760mm
DW1200	96m ³ /hr	4m ³ /hr	1.25Kw	3000mm	1675mm	1760mm